

URBAN DRIVEWAYS

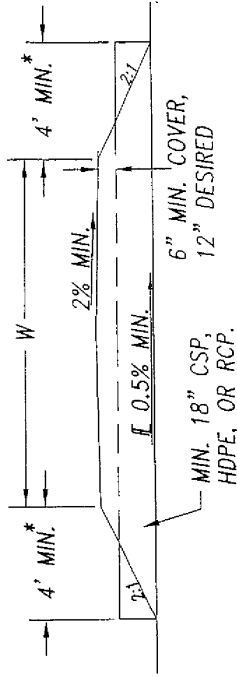
HUERFANO COUNTY

APPROVED:
REVISED:

FIGURE 1
21

RURAL DRIVEWAY WIDTHS

USE	W, MIN.	W, MAX.
RESIDENTIAL	12'	18'
MULTI-FAMILY RESIDENCE	16'	24'
COMMERCIAL	16'	24'
INDUSTRIAL	24'	30'
AGRICULTURAL	16'	30'

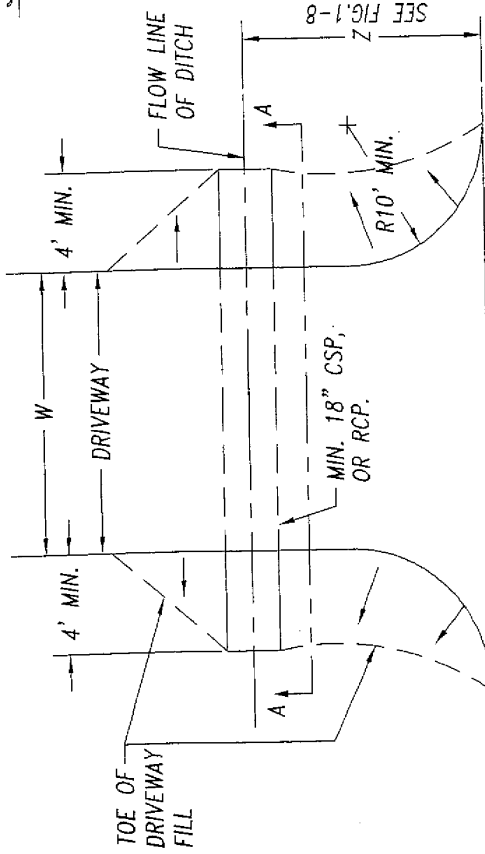


SECTION A-A

*SEE FIGURES 25 & 26 FOR END TREATMENT DETAILS

NOTES:

1. For driveways along paved roadways, the driveway shall be paved from the roadway edge to the property line with grade C H.B.P., min. 4" depth.
2. For driveways along gravel roadways, the driveway shall be capped from the roadway edge to the property line with class 6 A.B.C., min. 9" depth.

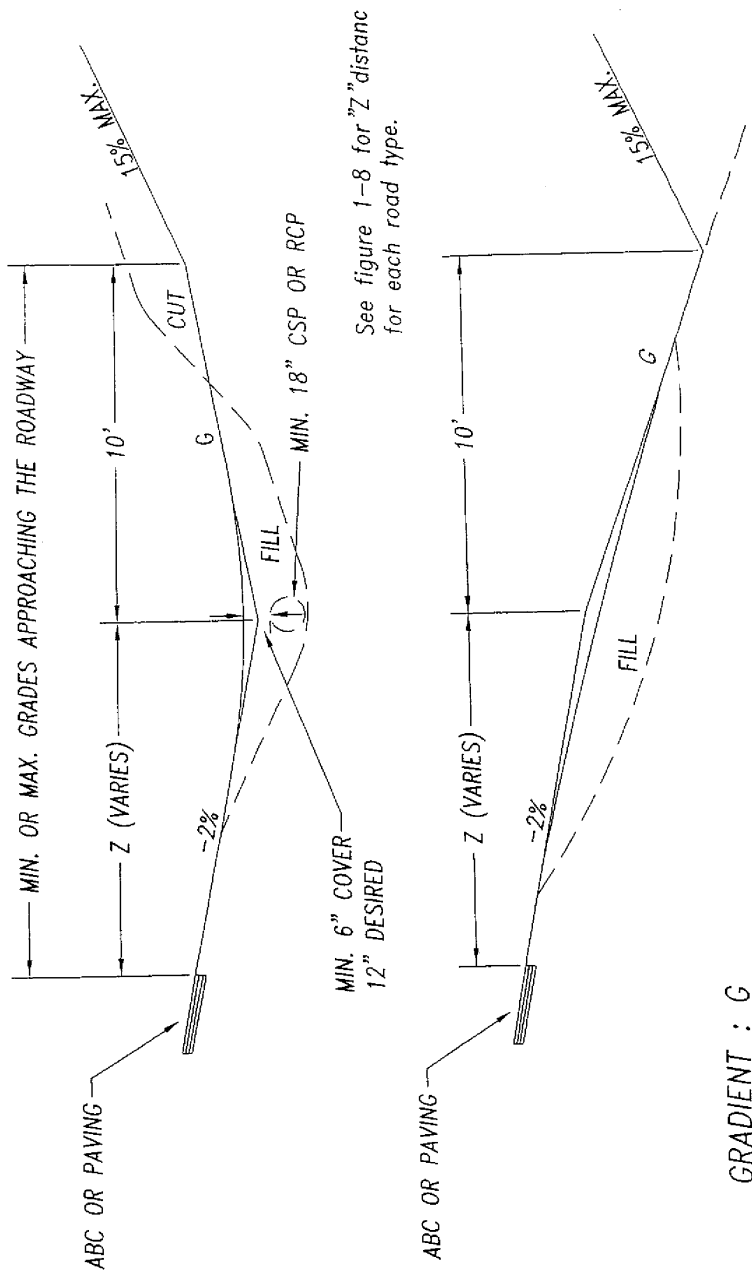


RURAL DRIVEWAYS

HUERFANO COUNTY

APPROVED:
REVISED:
DESIGNED:

FIGURE 1
22

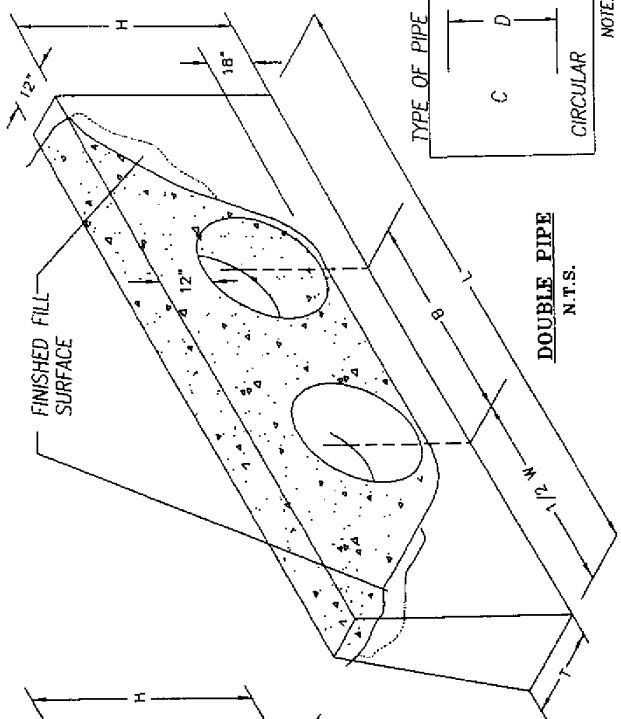
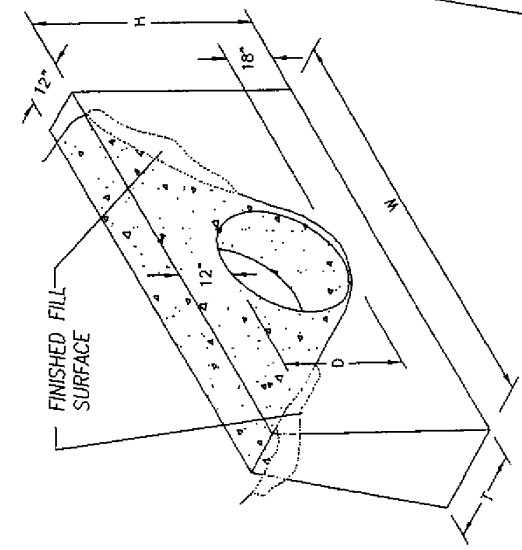


See figure 1-8 for "Z" distance for each road type.

GRADIENT : G

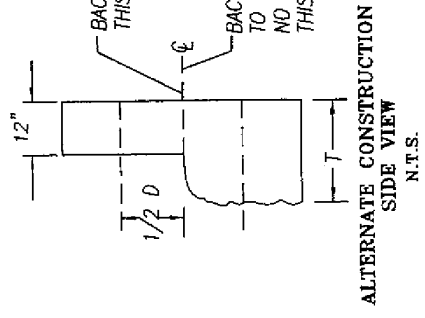
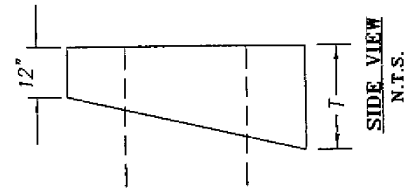
- Commercial 2% min. to 8% max.
- Industrial 2% min. to 5% max.
- Residential 2% min. to 15% max.
- Agricultural 2% min. to 15% max.

RURAL DRIVEWAY PROFILES	
HUERFANO COUNTY	APPROVED: _____ REVISID: _____ DESIGNER: _____
FIGURE 1 23	



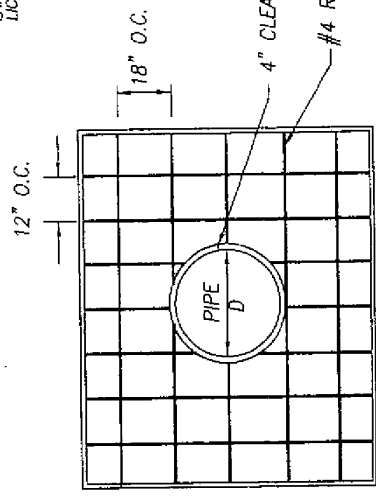
TYPE OF PIPE	HEADWALL DIMENSIONS
CIRCULAR	D = PIPE DIAMETER (INSIDE)
	H = D + 30"
	W = 3D + 18"
	T = 0.4H (NEAREST INCH)
	B = 1.5D (30" MINIMUM)
	L = W + B

NOTE: HEADWALLS FOR PIPE 48 INCHES OR LARGER IN DIAMETER MUST BE DESIGNED BY LICENSED ENGINEER SEE ART. 5.16.



BACK FORMED ABOVE THIS POINT

BACK MAY BE POURED TO EXCAVATION WITH NO FORMS BELOW THIS POINT.



GENERAL NOTES

FOR SIZE AND LOCATION OF CULVERTS, SEE PLANS.
 ALL CONCRETE SHALL BE CLASS A OR B.
 FOOTINGS IN ROCK SHALL BE POURED OUT TO ROCK AND NOT FORMED.
 EXPOSED CONCRETE CORNERS SHALL BE CHAMFERED 3/4"

CULVERT HEADWALLS - PIPES SMALLER THAN 48 INCH DIAMETER.

HUERFANO COUNTY

APPROVED: _____
 REVISIONS: _____
 REVISIONS: _____

FIGURE NC
 25